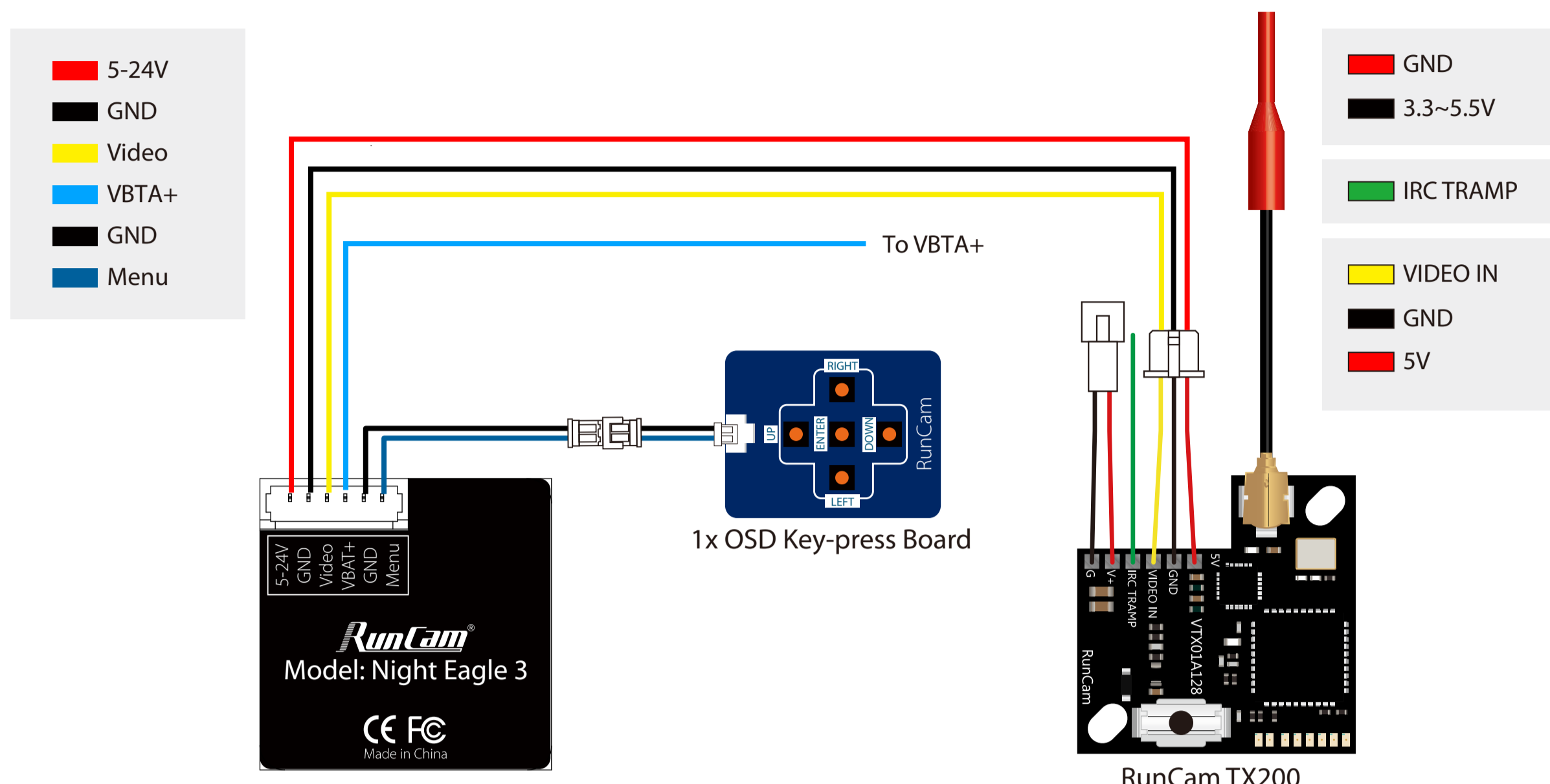


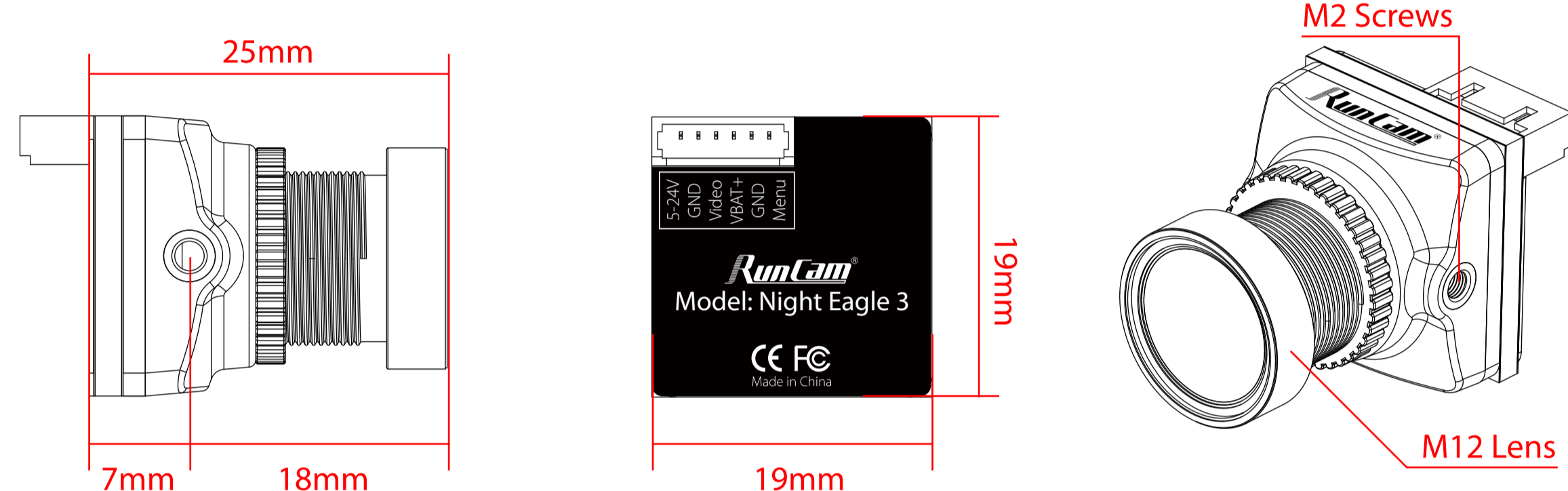
RunCam Night Eagle 3

USER MANUAL

Joystick Control



Dimensions & Installation



Camera Menu

MAIN MENU	
EXPOSURE	←
DAY&NIGHT	←
COLOR	←
DNR	LOW
IMAGE	←
SYSTEM	←
EXIT	

EXPOSURE	
BRIGHTNESS	◀ 10 ▶
SHUTTER	◀ AUTO ▶
AGC	10
RETURN	

DAY NIGHT	
MODE	◀ AUTO ▶
D>N THRES	13 <input type="checkbox"/>
N>D THRES	7 <input type="checkbox"/>
DELAY	LOW
RETURN	←

COLOR	
AWB	◀ AUTO ▶
COLOR GAIN	10 <input type="checkbox"/>
COLOR ADJ	←
RETURN	←

IMAGE	
SHARPNESS	4 <input type="checkbox"/>
GAMMA	0.45
MIRROR	OFF
FLIP	OFF
RETURN	←

SYSTEM	
PILOT	OFF
TIMER	ON
VOLTAGE	ON
SYSTEM	N/P
SCREEN	16:9
LANGUAGE	ENG
RESET	ON
RETURN	←

Parameters

Model	RunCam Night Eagle 3	
Image Sensor	1/2.8"2MP	
Horizontal Resolution	1500TVL	
Lens	FOV D:125° H:107° V:56°	FOV D:97° H:75° V:56°
Screen Format	16:9	4:3
Signal System	NTSC / PAL Switchable	
Integrated OSD	Yes	
Mirror/Flip	Available	
S/N Ratio	>50dB	
Electronic Shutter Speed	Auto	
Sensitivity	11390 mV/Lux-sec	
Day/Night	Black & White	
Menu Control	Joystick Control	
Power	DC 5-24V	
Current	90mA@12V / 250mA@5V	
Housing Material	ABS	
Net Weight	8.5g	
Dimensions	L19mm*W19mm*H25mm	